

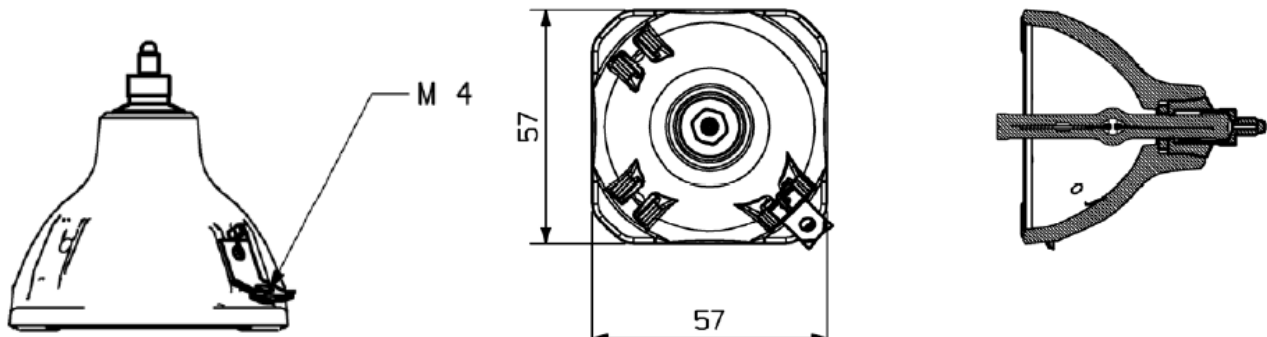
Philips UHP 100W/120W 1.0 E19.8

I. Specifications

- Customer part#:.....PHI/379
- Lamp Application:.....RP-TV
- Reflector type:.....Elliptical E19.8
- Arc gap:.....1.0 mm
- Power:.....100W/120W
- Ignition voltage:.....Ignition voltage 20kV ± 5kV
- Light output typical * :.....3600 lumen (in 100W mode)
- Average Life time ** :.....> 10000 hrs
- Environmental:.....RoHS and WEEE compliant



Side and back view of lamp. All dimensions ±0.5mm.



* : Lumen at 11 mm aperture on pot

** : Ballast type Test conditions on UHP 120W electronic power supply (EUC-120dP/31 or EUC-120dP/51) stabilized at 100W



Specification sheet UHP Replacement Lamps

2. SAFETY - SPECIFIC ATTENTION IS REQUIRED FOR UHP LAMPS

UHP lamps are designed and produced as a (spare) part of projection devices, manufactured by OEM's worldwide and sold worldwide. This type of discharge lamp contains mercury. In operation, the UHP lamp gets extremely hot and develops a very high internal pressure. In case of bulb rupture, the safety of the application is to be secured by adequate shielding of the lamp in order to avoid glass parts coming out of the device. Furthermore, instructions for both workforces in manufacturing and the end user/ consumer (user manuals, safety leaflets) should warn for risks and indicate precautions to be taken to avoid (prolonged) exposure to mercury vapour in case of bulb rupture.

Mercury:

Mercury is a toxic compound.

In case of bulb rupture in non-operative mode, avoid inhalation of mercury vapour, and clean the spilled mercury according prevailing safety procedures.

In case of bulb rupture during lamp operation, mercury vapour will be emitted. Avoid inhalation take precautions to avoid prolonged exposure to this mercury vapour.

Furthermore, user manuals and instructions for the end user (consumer) should indicate precautions to be taken to avoid prolonged exposure to mercury vapour in case of bulb rupture.

High Operating Lamp Temperature

In operation the lamp gets extremely hot, as well as surrounding parts in the projection device. Before touching lamp, driver and/or other internal parts make sure the projection device has sufficiently cooled down.

High Intensity Light Beam:

When operating the lamp creates a very high intensity beam, never look directly in an operating lamp.

UV radiation:

The lamp generates some amount of UV radiation, never look directly into an operating lamp.

High Voltage:

Safety protection is needed for the lamp area because of the high ignition pulses (ranging from 5 kV to max. 25kV, dependent on lamp type)

For extensive information regarding Product / Material Safety, please refer to the Product Safety Data Sheet (PSDS) for UHP lamps (www.philips.com/dpl)

3. INSTRUCTION FOR USE

UHP lamps tend to wear out over lifetime and the probability of bulb rupture progressively increases beyond the specified lifetime, In order to minimise risk of bulb rupture, do not operate the lamp (or do not allow operation) beyond the specified life time.

To replace the lamp, the power should always be switched off. See also user instructions of the set manufacturer for lamp replacement.

Never touch the front glass with bare hands. If bare hands have touched it, the front glass should be cleaned with a lint free towel before installing the lamp.

The lamp should be operated on the lamp driver as mentioned in page I.

The lamp area should be protected against high ignition pulses (max 25kV).

The front glass of the lamp should not make direct contact with metal. Also direct airflow towards the front glass should be avoided.

Information in this document is subject to change without notice.

Document#: PHI/379-May.28-2008

Page 2 of 3

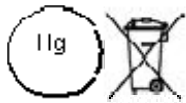
PHILIPS

Fast switching cycles will reduce lamp life (e.g. 10min on 10min off).

4. PROCEDURE FOR DISPOSAL OF LAMPS

If lamps are broken, ventilate area where breakage occurred. A mercury vacuum cleaner or other suitable means should be used to clean up to avoid dust and mercury vapour generation. Take usual precautions for collection of broken glass. Place materials in closed containers to avoid generating dust and mercury vapour.

Waste Disposal Method. *It is the responsibility of the waste generator to ensure proper classification of waste products. At the end of rated life, when this lamp is removed from service, please dispose it in accordance with local law regulations toxic waste. (UHP lamps are stamped with Hg mark, according to the State of Vermont Labeling Law V.S.A., Chapter 159; and a wheeled crossed out dustbin, according European WEEE Directive 2002/96/EC).*



Philips encourages recycling of its products by qualified recyclers.

5. ENVIRONMENTAL LAWS

EU

At end of service life, UHP Lamps should be treated as chemical waste (in view of mercury content), and be disposed of in compliance with national regulations/law.

USA

To comply in accordance with the Law of Vermont, that obliges the visible notification on a lamp in case it contains mercury, a Hg logo will be added on the reflector of the lamp. Besides the reflector, also lamp packaging with destination USA needs to notify the customer that the packaging contains mercury added products. For more information about Hg marking, check the website of the Law of Vermont. www.anr.state.vt.us/dec/ead/mercury/merc.htm