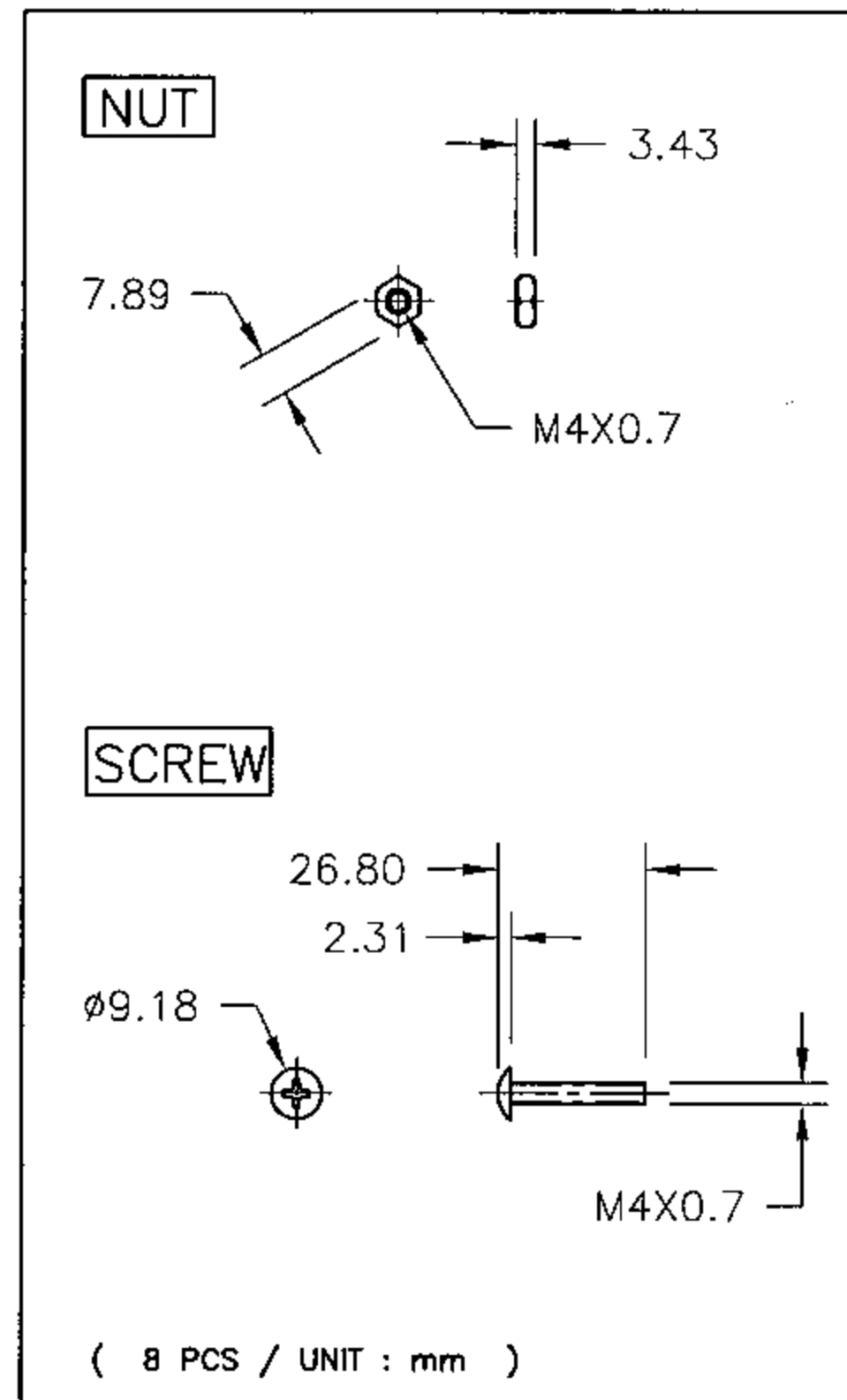
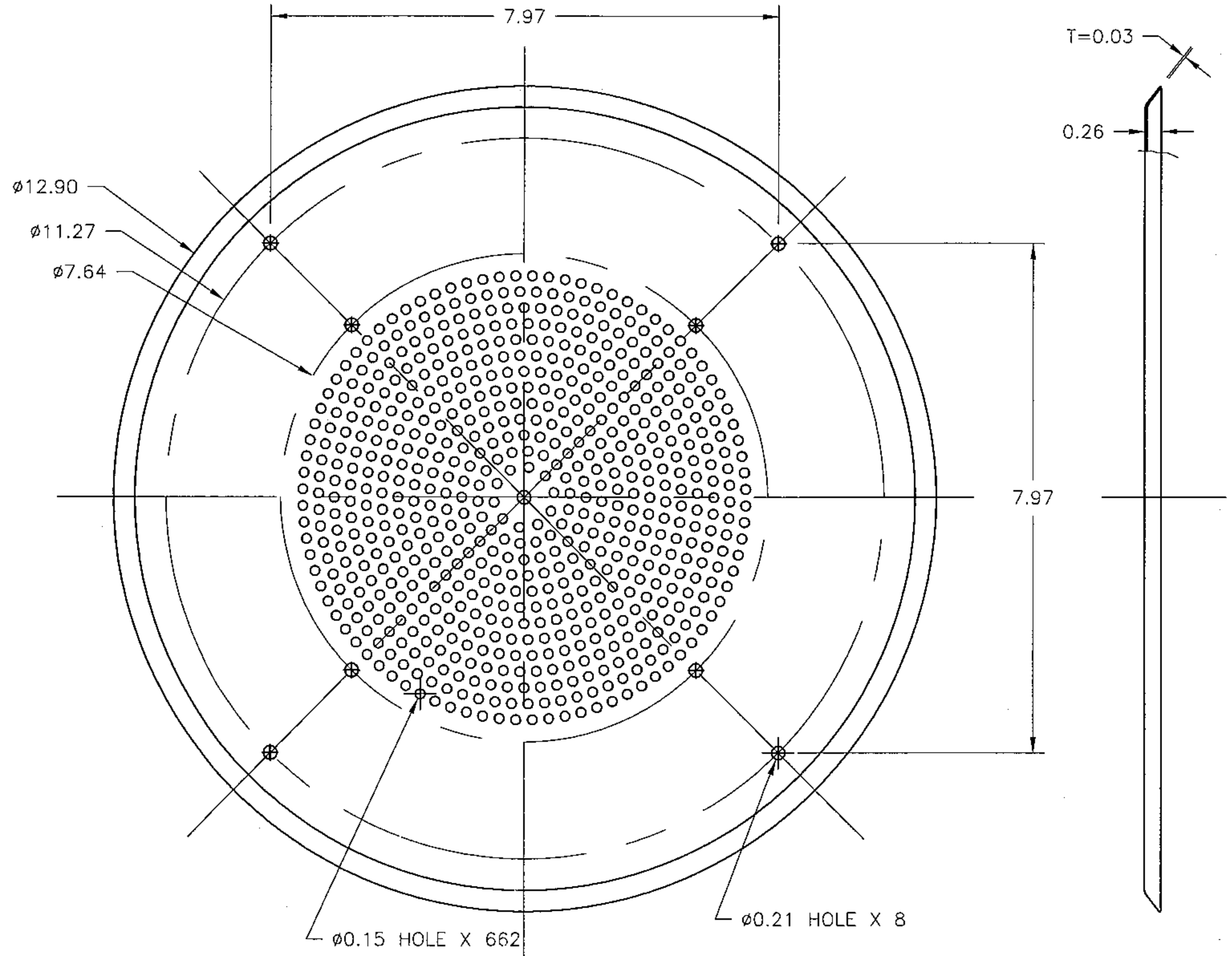


NOTE:
 MATERIAL:
 GRILL: STEEL, WHITE COLOR PAINTED
 SCREW: IRON, NICKLE PLATED (TOP OF SCREW
 W/WHITE COLOR PAINTED)
 NUT: IRON, NICKLE PLATED.

THIS DRAWING AND SPECIFICATIONS, HEREIN ARE THE
 CONFIDENTIAL PROPERTY OF MCM AND SHALL NOT
 BE REPRODUCED OR COPIED OR DISCLOSED IN WHOLE
 OR IN PART WITHOUT WRITTEN PERMISSION.

REV.	DESCRIPTION	DRAWN / DATE	APPROVED / DATE
0	INITIAL RELEASE	FROS 06/08/2005	



DIMENSIONS ARE IN INCH $\frac{mm}{25.4}$	TOLERANCES ARE FRACTIONS DECIMALS ANGLES	MATERIAL	Model #50-150	8" Speaker Grill	P/N 50-150	DRAWN FROS	DATE 06/08/2005
MOLD NO.	.x \pm 0.010 .xx \pm 0.005	FINISH	MCM, an InOne company www.mcminone.com	White Color	PROJECT NO.		
		COLOR			SCALE 0.4/1	SIZE A4	SHEET 1 OF 1