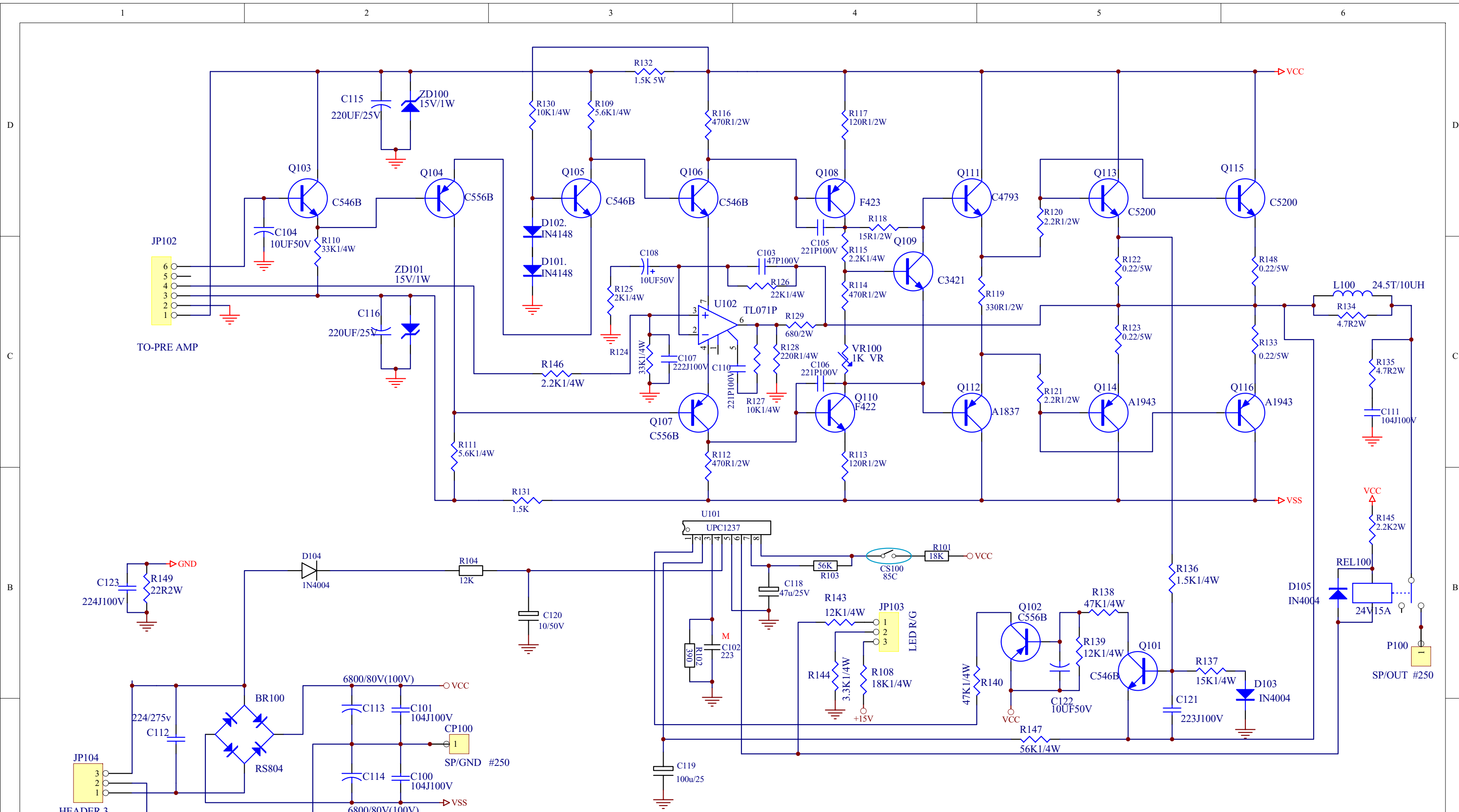


Approved By:	Checked By:	Drawn By:

MCM CUSTOM AUDIO		
Title: Front Circuit	Document NO. : 50-6263	B
File:	REV: 3.0	
Date: 2005-10-29	Sheet: 1 of 2	



Approved By:	Checked By:	Drawn By:

MCM CUSTOM AUDIO		
Title: Amplifier	Document NO. : 50-6263	B
File:	REV: 3.0	
Date: 2005-10-29	Sheet: 2 of 2	