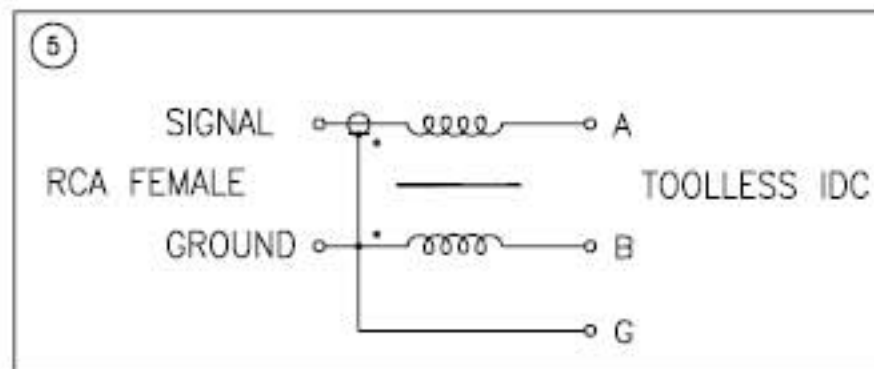


**SPECIFICATION:**

- Bandwidth : DC to 25 MHz
- Impedance : Input: 75 ohms , Output: 100 ohms
- Connectors : one RCA to one IDC
- Maximum Input : 1.0 Vp-p
- Insertion Loss : ≤ 1dB
- Common Mode Rejection: Greater than 40 dB
- Cable-UTP : UTP:24 AWG or lower solid copper  
UTP : Impedance: 100 ohms at 1MHz  
Max. Capacitance: 20 pf/ft  
Attenuation: 6.6 dB/1000 ft at 1 MHz
- Max. Distastance : 600 feet (Cat.5)
- Temperature : Operating: 0° to 55° C  
Storage: -20° to 85° C  
Humidity: up to 95%

**NOTE:**

Digital Audio coax, Orange RCA Female to Toolless IDC, for Keystone mounting



5	PCB SET (TRANSFORMER 1:1)	1 Set	
4	TOOLLESS IDC	1 Set	
3	PLASTIC HOUSING	1 Set	
2	RCA Keystone Housing	1 Set	
1	RCA FEMALE SOLDER TYPE (COLOR: Orange insert in RCA Female)	1 Set	
NO.	DESCRIPTION	Q'TY	NOTE

DIMENSIONS ARE IN mm <small>(INCH)</small>		TOLERANCES ARE FRACTIONS DECIMALS ANGLES		MATERIAL		DIGITAL RCA BALUM, KEYSTONE MOUNT, ORANGE	P/N 50-7755		DRAWN		DATE 12/16/2005	
MOLD NO.		.x ±0.25		FINISH			PROJECT NO.					
50-7755		.XX ±0.10		COLOR			SCALE 1:1		SIZE A4		SHEET 1 OF 1	