

Item # 82-9355

1 x 2 Coaxial Video Distribution Amplifier with Power-Link



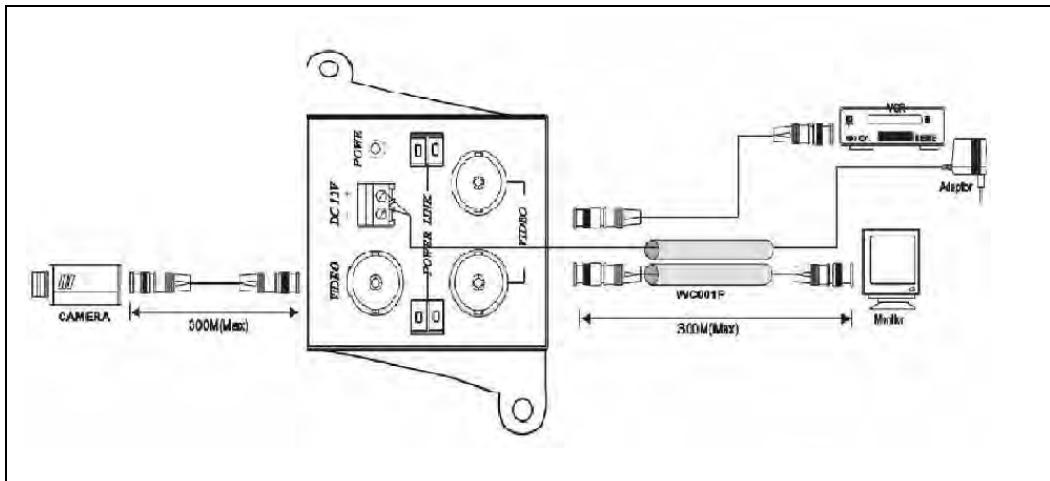
Features:

- 1.) One video input; 2 video outputs
- 2.) 300 meter max camera run; 300 meter max home run
- 3.) 12VDC/24VAC power input
(detachable screw terminal connection)
- 4.) Power-link facilitates interconnection of amplifiers' power,
so that additional amplifiers can be centralized for each camera run
- 5.) Red power on/off LED
- 6.) 12VDC power adapter included

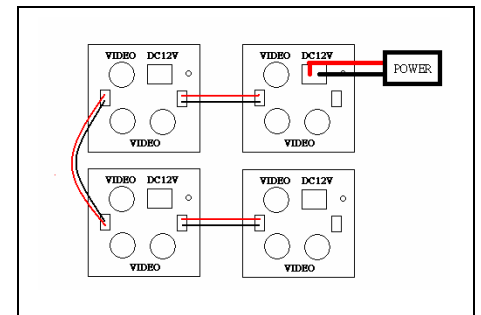
FCC



C-TICK



Power-link sample diagram



Specifications:

ITEM NO.	82-9355
Video Input Channel	1
Video Output Channel	2
Video Input Level	0.8~1.2Vp-p, 75 Ohms
Video Output Level	1Vp-p (Standard), 75 Ohms
Video Bandwidth	10hz - 10MHz
Power Supply	DC12V 500mA / AC24V
Power Consumption	40mA
Dimensions W x H x D mm	42.2x72.7x46
Weight g	65
Material	ABS Black