

Lens : optional

Preliminary



## New High-Performance DSP Superb Image Quality and Cost Performance Color Camera

The stylish new WV-CP280 Series color camera is equipped with a newly-developed DSP, providing improved image quality.

Utilizing the first **Adaptive Black Stretch** technology in the industry, the DSP uses image processing to transform dark areas into natural, high contrast images in real time, while keeping crisp areas unchanged.

Horizontal resolution is 540 TV lines in color mode. Minimum illumination intensity is 0.8 lux (0.08 fc) in color mode with the F1.4 lens. This is due to the new DSP and the introduction of a new circuit. Signal-to-Noise ratio under low-light intensity has been improved. Furthermore, it is equipped with a Day/Night feature, supporting greater low-light intensity\*.

It also eliminates strong backlighting with Backlight Compensation (BLC). The camera is equipped with various features, including Automatic Light Control (ALC) and Electronic Light Control (ELC) and supports a wide-range of installation environments.

Three selectable synchronization modes include Internal, Line-locked and Multiplexed Vertical Drive (VD2) synchronization. The camera supports 120V AC (WV-CP280) and 24V AC/ 12V DC (WV-CP284) power supplies.

With a host of new and improved features, the WV-CP280 Series is the ideal camera for offices, retail locations, restaurants and shopping malls.

\* No IR filter shifting

### KEY FEATURES

- 1/3-type CCD pick-up element featuring 768 (H) x 494 (V) pixels.
- Newly-developed Digital Signal Processor (DSP).
- Higher horizontal resolution of 540-line in color mode.
- Adaptive Black Stretch feature transforms shadows and dark areas into natural and crisp images in real time.
- Minimum illumination of 0.8 lux (0.08 fc) in color mode with F1.4 optional lens.
- Day/Night function allows use in low light situations\*.
- Accuracy improvement of Auto-Tracing White Balance (ATW).
- Back Light Compensation (BLC).
- Automatic Light Control (ALC).
- Electronic Light Control (ELC) enables the use of inexpensive fixed iris lenses for more cost effective systems.
- Line-lock capability for roll-free pictures during systems operation switching.
- VD2 sync capability with Panasonic system products.
- CS-mount lenses. DC-servo ALC lenses.
- WV-CP280 Camera Series:
  - WV-CP280: 120V AC, 60 Hz
  - WV-CP284: 24V AC, 60 Hz or 12V DC

### 1/3-type Variable Focal Lenses (optional)

WV-LZA61/2S  
(3.8 - 8 mm)

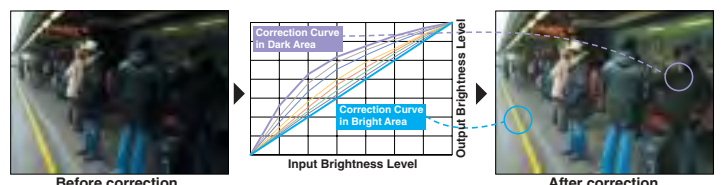


WV-LZ62/8S  
(5 - 40 mm)

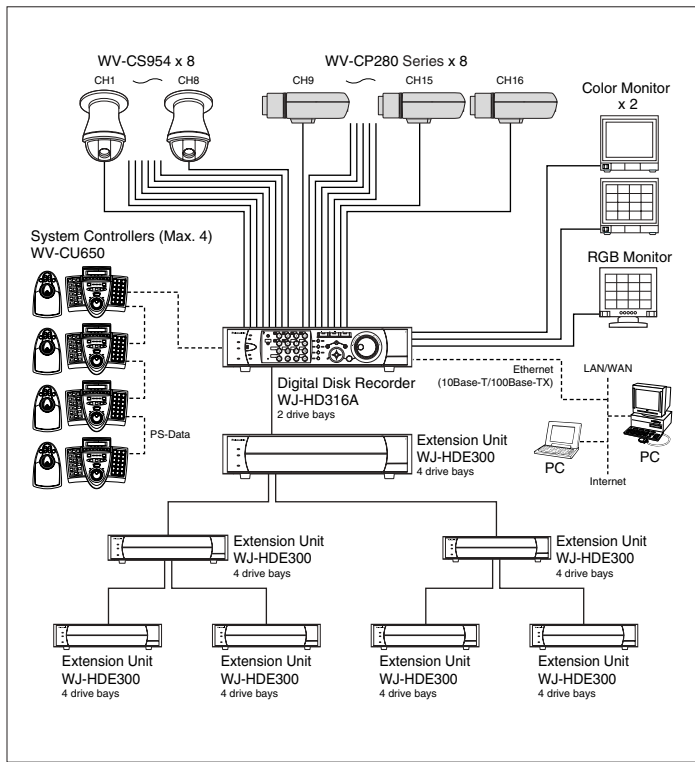


### Newly-developed DSP utilizes the first Adaptive Black Stretch technology in the Security industry

The first DSP to automatically detect dark areas inside an image, applying the most suitable correction curve based on brightness data of areas surrounding the dark area. This image processing algorithm transforms shadows and dark areas into natural and crisp images in real time.



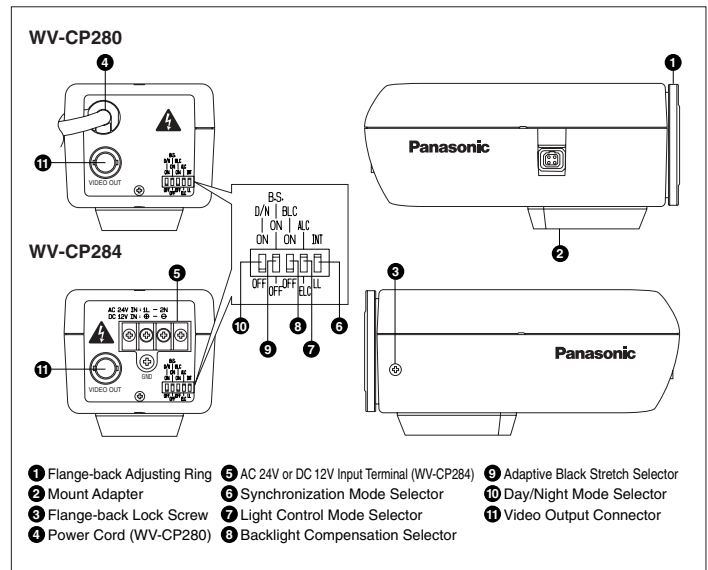
## SYSTEM EXAMPLE



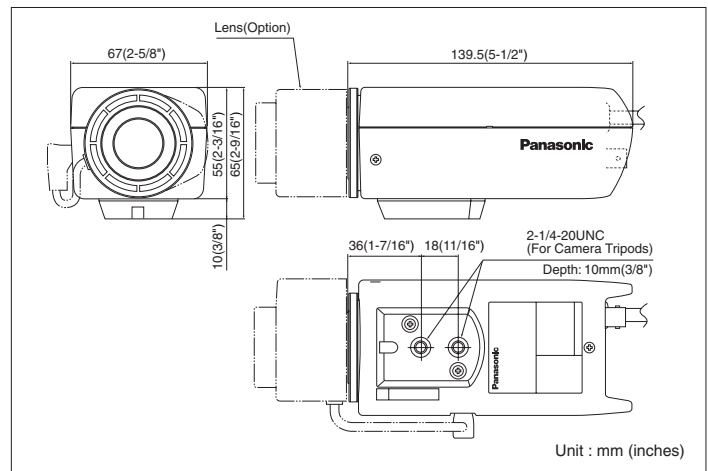
## SPECIFICATIONS

Model No.	WV-CP280	WV-CP284
Pick-up Device	768 (H) x 494 (V) pixels, Interline Transfer CCD	
Scanning Area	4.9 (H) x 3.7 (V) mm (Equivalent to scanning area of 1/3" pick-up tube)	
Synchronization	Internal, Line-locked or Multiplexed Vertical Drive (VD2), selectable	
Scanning System	2 : 1 interface	
Scanning	525 lines	
Horizontal	15.734 kHz	
Vertical	59.94 Hz	
Horizontal Resolution	540 TV lines	
Video Output	1.0 V [p-p] NTSC composite 75 Ω / BNC connector	
White Balance	ATW	
Signal-to-Noise Ratio	50 dB (Equivalent to AGC Off, weight On)	
Control Mode Setting	ALC / ELC	
Minimum Illumination	0.6 lux (0.06 fc) at F1.2, 0.8 lux (0.08 fc) at F1.4	
Switch Function	Light control mode selector (ALC/ELC), Backlight compensation selector (ON/OFF), Adaptive Black Stretch selector (ON/OFF), Day/Night mode selector (ON/OFF), Synchronization mode selector (INT/LL)	
Lens Mount	CS-mount	
Ambient Operating Temperature	-10 °C ~ +50 °C (14 °F ~ 122 °F)	
Ambient Operating Humidity	Less than 90 %	
Power Source and Power Consumption	120 V AC 60 Hz, 3.4 W	24 V AC 60 Hz, 2.7 W 12 V DC, 220 mA
Dimensions (without lens) (W x H x D)	67 x 65 x 139.5 mm (2-5/8" x 2-9/16" x 5-1/2")	
Weights (without lens)	510 g (1.12 lbs.)	350 g (0.77 lbs.)

## MAJOR OPERATING CONTROLS & TERMINALS



## APPEARANCE



## OPTIONAL COMPONENTS & ACCESSORIES

Digital Disk Recorders <b>WJ-HD316A</b> (16ch) <b>WJ-HD309A</b> (9ch) <b>WJ-HD220</b> (8ch)	System Controllers <b>WV-CU650</b> <b>WV-CU360C</b>
<b>PS•Data</b> 	<b>PS•Data</b> 
Matrix Systems <b>SYSTEM 650</b> <b>SYSTEM 150</b> 	LCD AV Monitors <b>WV-LC1710</b> 43.2cm (17") <b>WV-LD2000</b> 50.8cm (20") <b>WV-LD1500</b> 38.1cm (15") 

**Important** – Safety Precaution: carefully read the operating instructions and installation manual before using this product.

• All TV pictures are simulated. • Weights and dimensions are approximate. • Specifications are subject to change without notice. • These products may be subject to export control regulations.

# Panasonic

**Panasonic System Solutions Company**  
 Unit Company of Panasonic Corporation of North America  
**Security Systems**

Website : [www.panasonic.com/security](http://www.panasonic.com/security)

For Customer Support : call **1.877.733.3689**

Executive Office : Three Panasonic Way 2H-2, Secaucus, New Jersey 07094

DISTRIBUTED BY:

**PANASONIC CANADA INC.**

5770 Ambler Drive, Mississauga, Ontario, L4W 2T3 Canada (905) 624-5010

**PANASONIC PUERTO RICO INC.**

**DIVISION OF PANASONIC CORPORATION OF NORTH AMERICA**

San Gabriel Industrial Park, 65th Infantry Ave. KM. 9.5 Carolina, P.R. 00985 (809) 750-4300

Printed in Japan

WV-JHCP280T(2P-544)